

072700 Yamaha Ténéré 700 Hugger Fitting Instructions

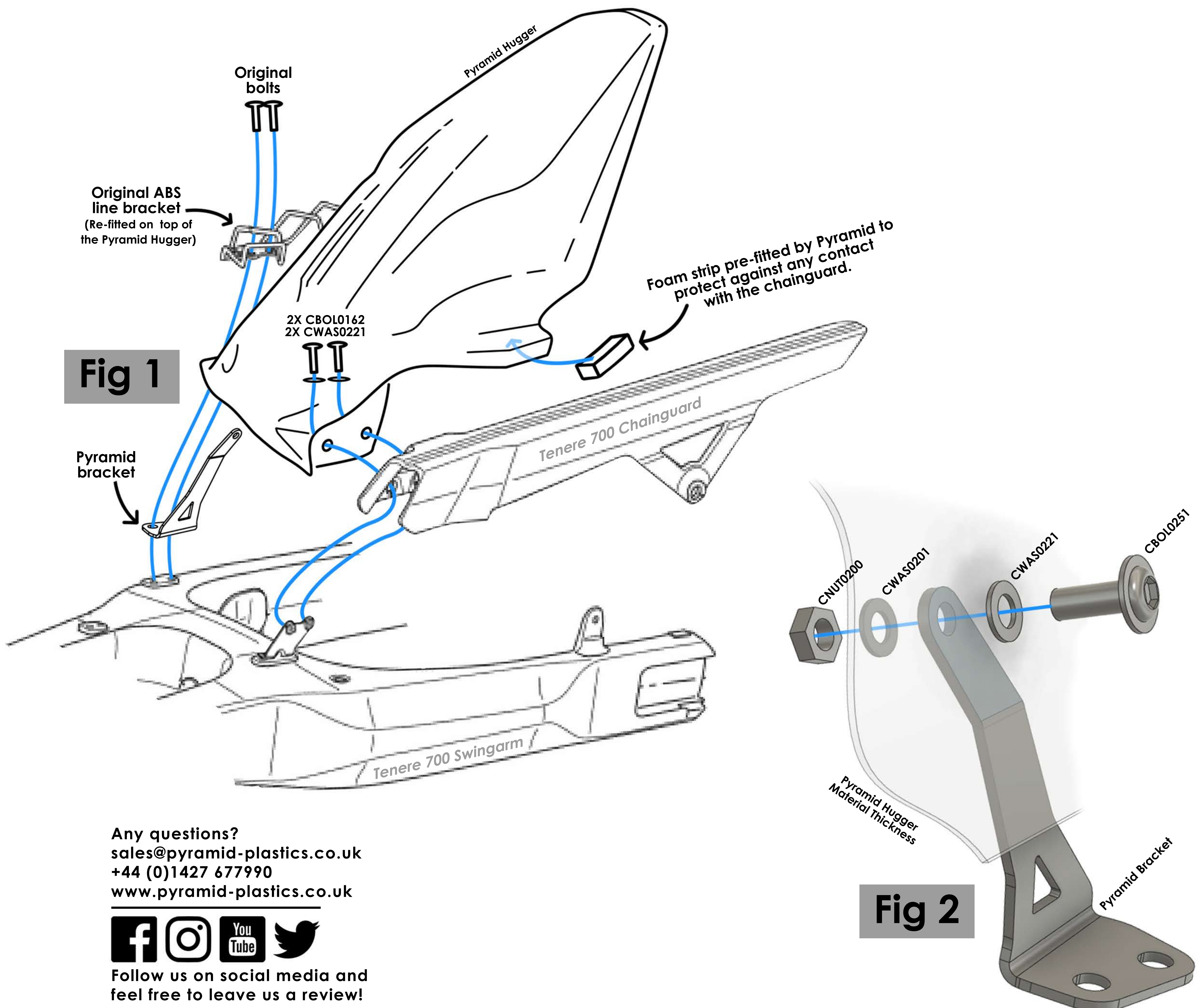
Kit Includes:

1X	C072700	Moulding
1X	CFK072700	Bracket
2X	CBOL0162	M5 X 16mm Bolt
1X	CBOL0251	M6 X 16mm Bolt
1X	CNUT0200	M6 Nyloc Nut
3X	CWAS0221	Plastic Washer
1X	CWAS0201	Stainless Steel Washer
1X	CFOA0006	Foam (30mm Strip)
1X	C812700	Rubber Shock Shield

Please note: the rubber shock shield supplied in this kit replaces the original plastic shock shield on the bike.

- Firstly, you will need to temporarily remove the original bracket which holds the ABS line. Then remove the two bolts from the forward mounting points of the chainguard.
- **Fig 1** below illustrates how the Pyramid Hugger should be fitted to the motorcycle. At this stage the hugger should only be fitted loosely.
- **Fig 2** below illustrates how the Pyramid bracket should be fitted to the Pyramid Hugger.

Once all fittings are in place and the alignment has been checked, all mounting points should be fully tightened. All mounting points should be checked periodically.



Any questions?
sales@pyramid-plastics.co.uk
 +44 (0)1427 677990
www.pyramid-plastics.co.uk



Follow us on social media and feel free to leave us a review!