

PYRAMID

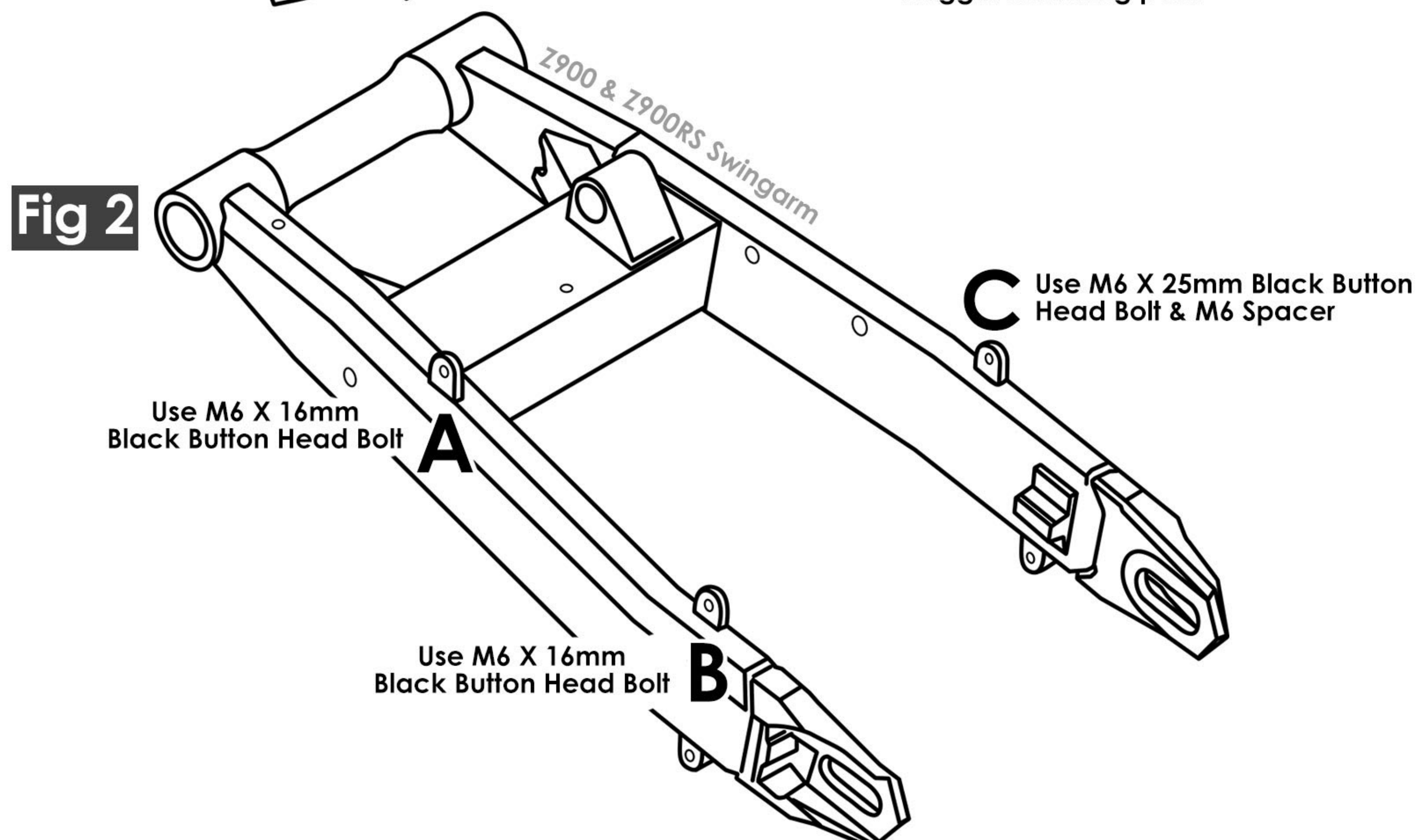
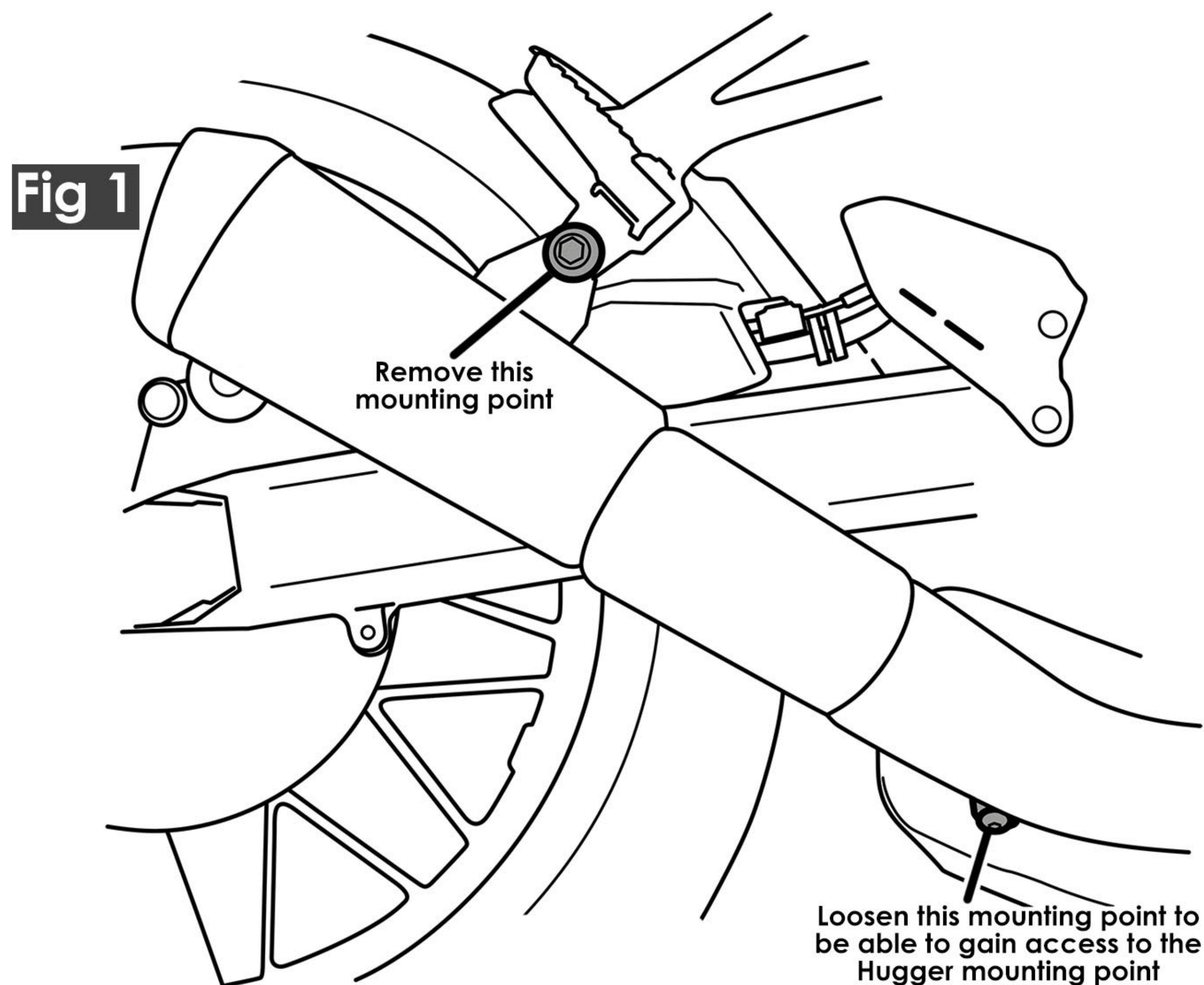


073880 Kawasaki Z900 & Z900RS Hugger Instructions

Kit Includes:

M6 X 16mm Black Button Head Bolt	1X	CBOL****	
M6 X 25mm Black Button Head Bolts	2X	CBOL0225	
M6 Spacer	1X	CSPA0004	
13mm Grommets	3X	CGRO0013	
6mm Steel Collars	3X	CGRO0017	
Black Rubber Trim (270mm)	1X	C08002A	
Includes decals on 073880B	1X	CBRA0017A	1X CBRA0018A

- Firstly fit the three 13mm Grommets & 6mm steel collars to the Pyramid Hugger. The Black Rubber Trim (270mm) can be cut down and attached to the bottom edges of the Pyramid Hugger to prevent any scratching on the swingarm.
- Remove the OEM Hugger and place all fittings to one side.
Please note: you may need to temporarily loosen the exhaust can to gain access to the mounting point behind it (See **Fig 1**).
- Place the Pyramid Hugger over the rear wheel and loosely fit into place taking note of the fittings mentioned in **Fig 2**.
- Once loosely fitted, tighten up all of the mounting points evenly.
If the exhaust can was adjusted for fitment, it can now be refitted.
- Be sure to check mounting points periodically.



Got questions?
sales@pyramid-plastics.co.uk
+44 (0)1427 677990
www.pyramid-plastics.co.uk

Follow us on social media and feel free to leave us a review!

