

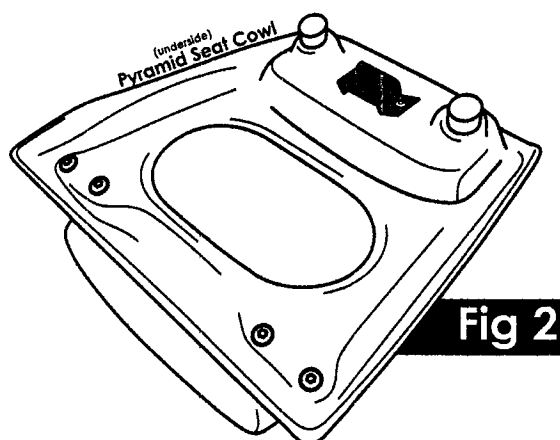
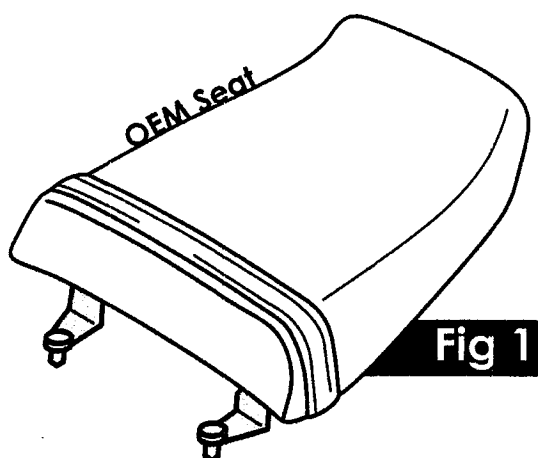
PYRAMID

12380 Yamaha YZF1000R Thunderace Seat Cowl

Kit includes:

1X	C12380	Moulding
1X	CPAD0210	Seat Pad
1X	CFK12380	Bracket
4X	CBOL2165	M6 X 20 _{mm} Bolts
10X	CWAS0201	M6 Washers
2X	CBOL0110	M5 x 12 _{mm} Bolts
4X	CWAS0105	M5 Washers
6X	CNUT0200	M6 Nyloc Nuts

- Remove OEM seat & seat strap.
- Remove the locating brackets from the OEM Seat (marked **RED** in **Fig 1**) and refit them onto the Pyramid Seat Cowl (location marked **RED** in **Fig 2**). Bolts are supplied with the Pyramid Seat Cowl to fit these locating brackets.
- Note: The bracket (marked **RED** in **Fig 2**) is used to clip the Pyramid Seat Cowl into position at the rear.
- Once the steps above are completed, fit the Pyramid Seat Cowl in the same way as the OEM Seat. Remember to check all fixings periodically.



Got questions?
sales@pyramid-plastics.co.uk
 +44 (0)1427 677990
www.pyramid-plastics.co.uk



Follow us on social media and
 feel free to leave us a review!

